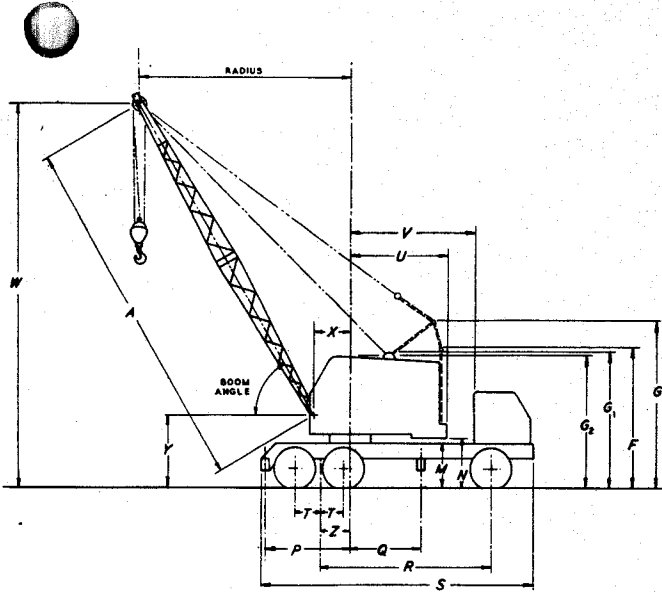


Clearances-Specifications

Working Ranges HC-58B Zephyrcrane



GENERAL DIMENSIONS		
Basic boom length	A	30' 0"
Minimum clearance basic boom upper facing front		11' 6"
Over-all height, retractable gantry lowered	F	11' 7"
Over-all height, retractable gantry raised	G	14' 2"
Over-all height, low gantry	G1	11' 6"
Cab clearance height	G2	11' 2"
Over-all height, top of ring gear plate	M	3' 9"
Clearance between truck and counterweight "A"	N	7"
Clearance between truck and counterweight "AB"	N	4"
Ground clearance under counterweight "A"	O	4' 1"
Ground clearance under counterweight "AB"	O	3' 9"
Minimum ground clearance		9"
Center line rotation to rear outrigger center	P	7' 2"
Center line rotation to front outrigger center	Q	6' 0"
Truck wheelbase	R	14' 7"
Over-all length of truck (with rear outrigger)	S	23' 3"
Over-all width (over tires)		8' 0"
Center rear axle to pivot of bogie	T1	2' 0"
Center rear axle to pivot of bogie	T2	2' 1"
Tailswing (counterweight "A" or "AB")	U	8' 3"
Center line rotation to back of truck cab	V	9' 5"
Radius of boom hinge pin	X	3' 1"
Height of boom hinge pin	Y	6' 1"
Center line rotation to rear axle bogie	Z	2' 6"

LIFTING CAPACITIES WITH COUNTERWEIGHT "A"								
Length	BOOM		W Boom Point Height	WITH OUTRIGGERS Side or Rear	ON TIRES		DRAGLINE ①	CLAMSHELL- MAGNET ①
	Radius	Angle			Side	Rear		
30'	10'	77°	35' 1"	29,400*	15,530	18,960	---	5,300
	12'	73°	34' 6"	25,000*	12,090	15,000	---	5,300
	15'	67°	33' 4"	20,400*	9,000	11,350	---	5,300
	20'	56°	30' 8"	15,170	6,190	7,970	4,500	4,910
	25'	43°	26' 4"	11,020	4,640	6,060	4,090	3,680
	30'	26°	20' 5"	---	---	---	3,360‡	---
40'	10'	80°	45' 3"	29,000*	15,310	18,720	---	5,300
	12'	77°	44' 10"	24,600*	11,870	14,770	---	5,300
	15'	73°	44' 1"	20,000*	8,770	11,120	---	5,300
	20'	65°	42' 1"	15,000	5,970	7,750	---	4,740
	25'	57°	39' 3"	10,840	4,420	5,840	3,900	3,500
	30'	48°	35' 5"	8,390	3,430	4,620	3,020	2,720
	35'	37°	29' 11"	6,780	2,740	3,760	2,420	2,170
	40'	23°	21' 2"	5,640	2,240	3,130	2,190‡	---
50' ③	12'	80°	54' 11"	24,200*	11,640	14,530	---	---
	15'	76°	54' 6"	19,600*	8,550	10,900	---	---
	20'	70°	52' 11"	14,830	5,760	7,520	---	---
	25'	64°	50' 10"	10,660	4,200	5,620	---	---
	30'	57°	48' 0"	8,200	3,210	4,400	---	---
	35'	50°	44' 4"	6,590	2,530	3,540	---	---
	40'	43°	39' 7"	5,450	2,030	2,910	---	---
	50'	20°	23' 2"	3,940	1,340	2,050	---	---
60' ② ③	15'	79°	64' 7"	19,400*	8,330	10,670	---	---
	20'	74°	63' 5"	14,660	5,540	7,300	---	---
	25'	69°	61' 8"	10,470	3,980	5,400	---	---
	30'	63°	59' 7"	8,010	3,000	4,170	---	---
	35'	58°	56' 8"	6,400	2,310	3,320	---	---
	40'	52°	53' 1"	5,250	1,810	2,700	---	---
	45'	46°	48' 8"	4,400	1,430	2,210	---	---
	50'	39°	43' 3"	3,740	1,120	1,830	---	---
70' ② ③	20'	76°	73' 9"	14,480	5,320	7,080	---	---
	25'	72°	73' 4"	10,290	3,770	5,180	---	---
	30'	67°	70' 6"	7,820	2,780	3,950	---	---
	35'	64°	68' 9"	6,200	2,100	3,100	---	---
	40'	58°	65' 5"	5,050	1,600	2,480	---	---
	45'	53°	62' 0"	4,200	1,210	2,000	---	---
	50'	48°	57' 11"	3,540	910	1,610	---	---
	70'	17°	26' 5"	1,920	150	660	---	---

Lifting capacities shown are in pounds and are not more than 85% of minimum tipping loads with machine standing on firm level ground. A deduction must be made from the above lifting capacities for weights of hook-block, hook, sling, grapple, etc.

‡ Dragline operation with boom angle less than 35° is seldom advisable.

NOTE: Six part hoist line 1/2" cable required for maximum lifts.

① For normal dragline, clamshell, lifting magnet or similar work, weight of bucket or magnet plus load should not exceed capacities shown in dragline or clamshell-magnet chart with machine standing on firm level ground. These are values for normal conditions and exceptions may be made for above average conditions. However, allowances must be made for soft or uneven footing, bucket suction and other unfavorable conditions. Boom length for average dragline, clamshell, magnet or similar work should not exceed 40 feet.

② Retractable high gantry required for booms over 50 feet long.

③ Lifting crane service only.

POWER UNITS

Suitable for operation up to 4000' above sea level. For operation at higher altitudes consult factory.

Standard—Waukesha 195GK gasoline engine with friction clutch, 6 cylinder, 56 net h.p. @ 1620 r.p.m. full load speed.

Optional at extra cost—Gasoline: Waukesha with torque converter.

Diesel: General Motors, International, and Waukesha.



These specifications comply with the recommended Commercial Standard CS90-58, developed under the National Bureau of Standards and issued by the United States Department of Commerce.

Lifting Capacities HC-58B Zephyr crane

LIFTING CAPACITIES WITH COUNTERWEIGHT "AB" ③						
BOOM			W Boom Point Height	WITH OUTRIGGERS Side or Rear	ON TIRES	
Length	Radius	Angle			Side	Rear
30'	10'	77°	35' 1"	30,000*	17,180	20,470
	12'	73°	34' 6"	25,500*	13,390	16,220
	15'	67°	33' 4"	20,800*	9,980	12,290
	20'	56°	30' 8"	15,850*	6,900	8,650
	25'	43°	26' 4"	11,910	5,180	6,590
	30'	26°	19' 0"	9,290	4,090	5,270
40'	10'	80°	45' 3"	29,600*	16,950	20,240
	12'	77°	44' 10"	25,100*	13,170	15,980
	15'	73°	44' 1"	20,400*	9,760	12,060
	20'	65°	42' 1"	15,500*	6,680	8,420
	25'	57°	39' 3"	11,730	4,970	6,370
	30'	48°	35' 5"	9,100	3,880	5,050
	35'	37°	29' 11"	7,370	3,120	4,130
	40'	23°	21' 2"	6,140	2,570	3,450
50'	12'	80°	54' 11"	24,800*	12,940	15,750
	15'	76°	54' 6"	20,000*	9,540	11,830
	20'	70°	52' 11"	15,300*	6,460	8,200
	25'	64°	50' 10"	11,550	4,750	6,150
	30'	57°	48' 0"	8,910	3,660	4,830
	35'	50°	44' 4"	7,180	2,910	3,910
	40'	43°	39' 7"	5,950	2,360	3,230
	45'	33°	33' 1"	5,030	1,930	2,710
	50'	20°	23' 2"	4,320	1,600	2,300
60' ②	15'	79°	64' 7"	20,200*	9,320	11,600
	20'	74°	63' 5"	14,850*	6,240	7,980
	25'	69°	61' 8"	11,360	4,530	5,930
	30'	63°	59' 7"	8,720	3,440	4,610
	35'	58°	56' 8"	6,980	2,690	3,690
	40'	52°	53' 1"	5,750	2,140	3,010
	45'	46°	48' 8"	4,830	1,720	2,500
	50'	39°	43' 3"	4,120	1,380	2,080
	55'	30°	36' 2"	3,560	1,110	1,750
60'	19°	25' 2"	3,100	890	1,480	
70' ②	20'	76°	73' 9"	14,650*	6,020	7,750
	25'	72°	73' 4"	11,180	4,320	5,700
	30'	67°	70' 6"	8,530	3,230	4,390
	35'	64°	68' 9"	6,790	2,480	3,470
	40'	58°	65' 5"	5,560	1,920	2,800
	45'	53°	62' 0"	4,640	1,500	2,280
	50'	48°	57' 11"	3,930	1,170	1,870
	55'	42°	53' 0"	3,360	900	1,530
	60'	36°	46' 9"	2,890	680	1,260
	65'	28°	38' 10"	2,510	490	1,030
70'	17°	26' 5"	2,190	330	830	

MAXIMUM BOOM LENGTHS	With Cwt "A"	With Cwt "AB"
Maximum boom machine can pick clear of ground over rear	70'	70'
Maximum boom machine can pick clear of ground over rear and travel ④	70'	70'
Maximum boom plus jib machine can pick clear of ground over rear	70' + 30'	70' + 30'
Maximum boom plus jib machine can pick clear of ground over rear and travel ④	50' + 30'	55' + 30'

④ Maximum travel speed 5 m.p.h.

BRIEF SPECIFICATIONS

LIFTING CRANE AND CLAMSHELL

Approximate working weight with 30' boom, low gantry, counterweight "A", no bucket, hookblock, or tagline winder	38,800 lbs.
Swing speed	4.9 c.p.m.
Lifting Crane Lagging	Line Pull
9" hoist (front)	12,400 lbs. @ 134 f.p.m.
9" hoist (rear)	12,000 lbs. @ 134 f.p.m.
Clamshell Lagging	Line Speed
11" closing (front)	10,200 lbs. @ 162 f.p.m.
11" holding (rear)	9,950 lbs. @ 162 f.p.m.

DRAGLINE

Approximate working weight with 30' boom, low gantry, counterweight "A", no bucket	39,100 lbs.
Swing speed	4.9 r.p.m.
Lagging	Line Pull
10" inhaul (front)	11,300 lbs. @ 150 f.p.m.
11" hoist (rear)	9,950 lbs. @ 162 f.p.m.

WE ARE CONSTANTLY IMPROVING OUR PRODUCTS AND THEREFORE RESERVE THE RIGHT TO CHANGE DESIGNS AND SPECIFICATIONS

For Certified Dimensions, Consult Factory

LINK-BELT SPEEDER

Link-Belt Speeder
Cedar Rapids, Iowa

Link-Belt Speeder (Canada), Ltd.
Woodstock, Ontario